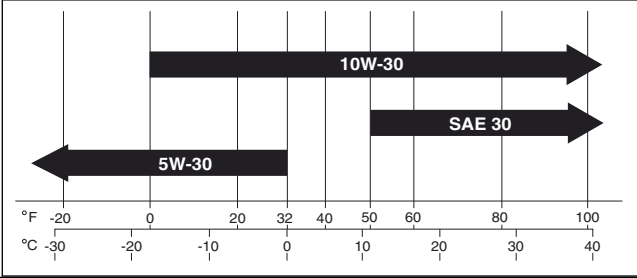


Technical data

Technical data

	Soff-Cut 4000
Engine ¹	
Engine brand/ Type	Kohler Command Pro CH640
Engine power, hp@rpm/kW@rpm ²	20.5@3600/15.3@3600
Fuel and lubrication system	
Fuel tank capacity, gal/l	4.5/17
Oil system	Full pressure lubrication with spin-on oil filter.
Oil tank capacity, quarts/l	2/1.9
Engine oil	<p>We recommend use of Kohler oils for best performance. Other high-quality detergent oils, including synthetic, of API (American Petroleum Institute) service class SJ or higher are acceptable. Select viscosity based on air temperature at time of operation as shown in figure below.</p> 
Weight and dimensions	
Nominal weight, lbs/kg	454/206
Operation weight, included fuel and accessories, lbs/kg	478/217
Saw blade	
Blade type	Diamond blade, dry cut with tri-arbor
Material	Green concrete only
Max. blade size, in/mm	13.5/343
Max. cut depth, in/mm	3/76
Cutting distance from wall, in/mm	3 ½/89
Blade rotation	Counterclockwise, upcutting

¹ For further information and questions about this specific engine, refer to the engine manual or the web site of the engine manufacturer.

² As specified by engine manufacturer. Gross power rating as per SAE J1940/J1995, at specified rpm.

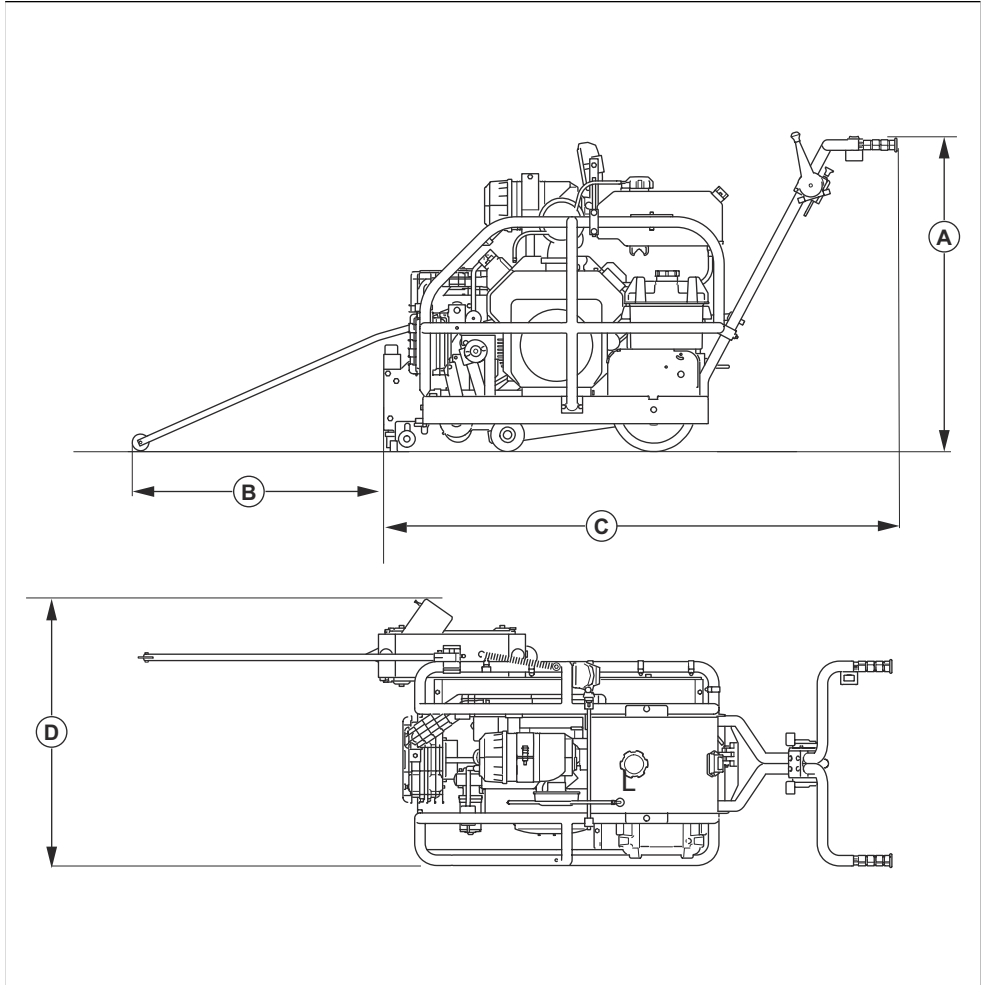
Soff-Cut 4000		
Blade shaft speed, rpm	3600	
Blade depth control	Manual	
Average cutting rate ³		
	3 in (76 mm) depth	2 in (51 mm) depth
Soft aggregates, ft/min/m/min	14/4.3	24/7.3
Medium aggregates, ft/min/m/min	11/3.4	17/5.2
Hard aggregates, ft/min/m/min	7/2.1	9/2.7
Recommended dust extractors ⁴		
Min. Air flow CFM or m ³ /h	236 or 400	
Min. Vacuum, psi/kPa/	3.6/22	
Min. Water lift, in/m	90/2.3	
Dust extractor attachment, in/mm	3/76	

Note This spark ignition system complies with the Canadian ICES standard.

³ Estimate only. Speed will vary with job conditions and concrete mixes.

⁴ Technical data for dust extractors are not conclusively describing actual performance over time between different dust extractors. For Husqvarna products OSHA objective data are available at www.husqvarnaccp.com/us.

Product dimensions Soff-Cut 4000



		Dimensions, mm/in.
A	Height	945/37.2
B	Distance from the front pointer wheel to the product	710/28.0
C	Length	1600/63
D	Width	810/31.9